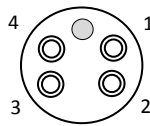
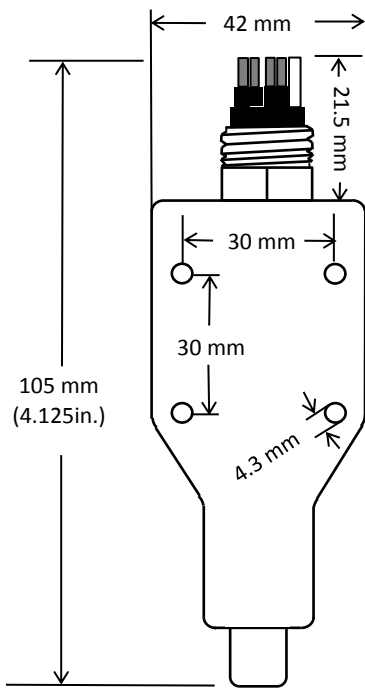




The Sea Surface Temperature sensor (SST) is a submersible high-accuracy temperature sensor developed for near-surface measurements on buoys, piers or other platforms. The plastic housing allows direct routing to metal structures.

The standard brass connector and fittings are robust against corrosion. The SST is also available with 316L stainless steel and titanium options.

The SST has a simple RS232 interface. Sampling starts automatically when powered, no programming is required.



Male Face View

- 1 Common (ground)
- 2 RS-232 Transmit
- 3 RS-232 Receive
- 4 Power Input

Specifications:

Temperature

- Range: - 5 to +45°C
- Accuracy: ± 0.005°C (-2 to +35°C)
- Stability: 0.00025°C/month
- Resolution: 0.0001°C
- Time constant: 0.5 to 3 seconds (depending on tip)

Electrical

- Supply Voltage: 5 – 28 VDC
- Current consumption: 10 milliamps
- Interface: RS-232 (3.3 V logic level available)
- Connector: MCBH-4M
- Optional Interface: RS-485 full duplex
- Optional Connector: MCBH-8M

- Materials:** PET, Brass
- Depth Rating:** 25 meters
- Weight:** 180 grams (in air)
110 grams (in seawater)

